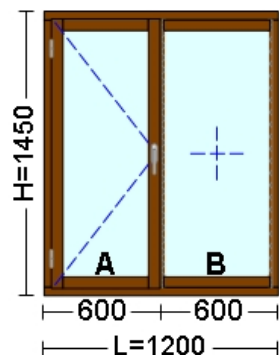


Window Panel

Project: OFR06583 - Demo Lemn Stratificat / Date: 12/02/2009

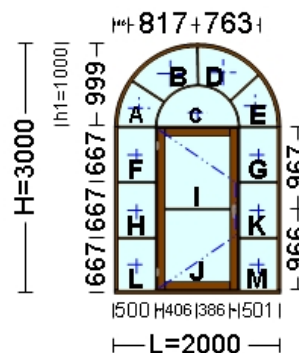
Delivery Date: 28/11/2007

Client: Ion Popescu
 Phone: 091 321.95.59
 Email: popescu@yahoo.com
 Address:



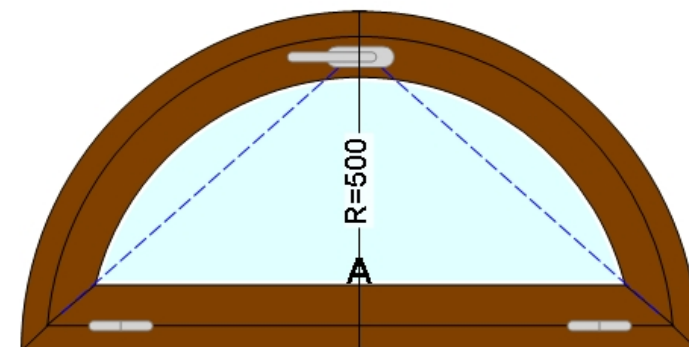
View inner. Opening inner.

Component: 01.F1
 Description:
 Components: 3 pcs
 Size: 1,200.0 mm x 1,450.0 mm
 Glass Surface: 1.188 sqm
 Surface: 1.740 sqm
 Profile System: Molid 68 / Molid
 IV68/78 01 2 900 - Mol-Toc Fereastră Mobila
 DKD, Bara 900 mm; IV68/78 07 2 1300 - Mol-
 Profil Compensare DKD, Bara 1300 mm; IV68/78
 07 1 6000 - Mol-Profil Compensare FJ, Bara 6000
 mm
 Frame:
 Sash: IV68/78 02 2 900 - Mol-Canat Fereastră DKD,
 Bara 900 mm
 Fittings: AGB Standard
 Glass: GT Clar-Clar 4-14-4



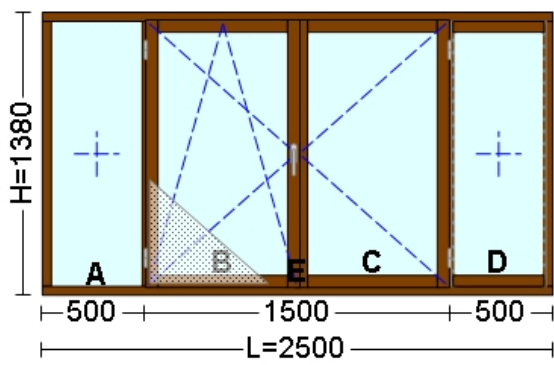
View outer. Opening outer.

Component: 02.U1
 Description:
 Components: 1 pcs
 Size: 2,000.0 mm x 3,000.0 mm
 Glass Surface: 4.188 sqm
 Surface: 5.571 sqm
 Profile System: Molid 68 / Molid
 IV68/78 01 2 900 - Mol-Toc Fereastră Mobila
 DKD, Bara 900 mm
 Frame:
 Sash: IV68/110 04 1 6000 - Mol-Canat Usa T FJ, Bara
 6000 mm
 Fittings: AGB Standard
 Glass: GT Clar-Clar 4-14-4; Geam Float 4 mm



View inner. Opening inner.

Component: 03.F2
 Description:
 Components: 5 pcs
 Size: 1,000.0 mm x 500.0 mm
 Glass Surface: 0.166 sqm
 Surface: 0.393 sqm
 Profile System: Molid 68 / Molid
 IV68/78 01 2 900 - Mol-Toc Fereastră Mobila
 DKD, Bara 900 mm
 Frame:
 Sash: IV68/78 02 2 900 - Mol-Canat Fereastră DKD,
 Bara 900 mm
 Fittings: AGB Standard
 Glass: GT Clar-Clar 4-14-4



View inner. Opening inner.

Component: 04.F3 + Plasa
 Description:
 Components: 2 pcs
 Size: 2,500.0 mm x 1,380.0 mm
 Glass Surface: 4.353 sqm
 Surface: 5.360 sqm
 Profile System: Molid 68 / Molid
 IV68/78 01 2 900 - Mol-Toc Fereastră Mobilă
 DKD, Bară 900 mm; IV68/78 07 2 900 - Mol-Profil
 Compensare DKD, Bară 900 mm
 Sash: IV68/78 02 2 900 - Mol-Canat Fereastră DKD,
 Bară 900 mm
 Fittings: AGB Standard
 Glass: GT Clar-Clar 4-14-4